



PYRACELL™

SECURITY GRILLES

PYRACELL™

STEEL

ALUMINUM

The PYRACELL™ security grille is designed for maximum security applications. The 3/16" round holes comply with current National Institute of Corrections standards as well as California Title 24 guidelines for suicide prevention.

The Patent No. US 7,473,167 B2 pyramids attach to the back of the face make looping any type of cord or string far more difficult than standard suicide deterrent grilles. The Pyramids are removable to allow for easy cleaning.

FEATURES

- Face plate and sleeve: 3/16" steel (Optional 1/8" aluminum)
- Pyramids: aluminum construction (Optional Polycarbonate)
- Sleeve: 3/16" (available in 6", 8", 10", 12" and 18" lengths)
- Face and sleeve are welded construction
- Pyramids are attached by locknuts
- Standard finish is white (WH) or mill (ML)
- Retro-fit available

Tuttle & Bailey designed this product as "Suicide Deterrent" and makes no claim as to this product being "Suicide Proof".

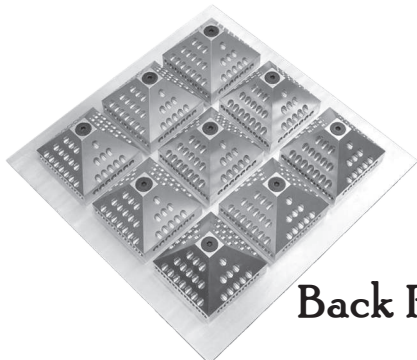
ACCESSORIES

- Angle frame (AF): 1-1/2" x 1-1/2" x 3/16 steel angle iron welded at corners (shipped loose and unpainted for field mounting)
- Anchor bars (AB): 3/4" diameter x 3" long steel bars positioned 3" from the back of the face plate on the top and bottom of the sleeve

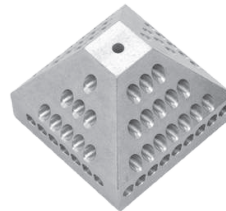


Available Sizes

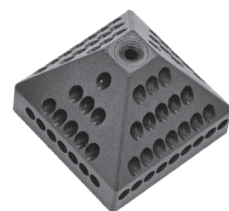
Min	Max
6x6	15x15
Product available in 3" increments only.	



Back Panel



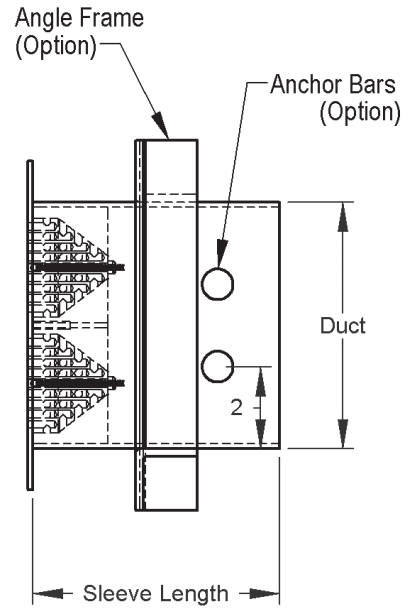
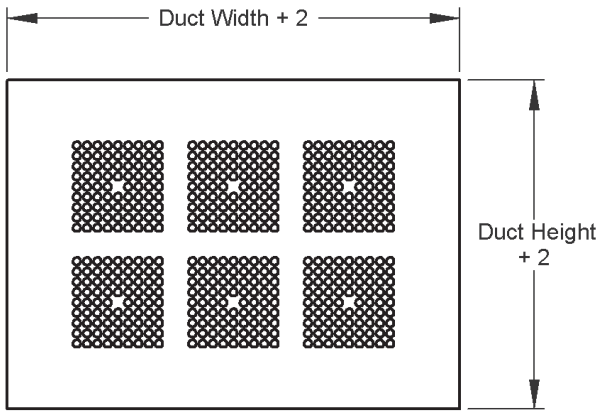
Aluminum



Polycarbonate

PRODUCT DIMENSIONS

PYRACELL™



DIMENSIONS IN INCHES

ENGINEERING DATA

PYRACELL™

Size 6x6

CFM	10	25	35	45	55	70	80	90	100	115	125	135
Neck Velocity	88	221	309	397	485	618	706	794	882	1015	1103	1191
Velocity Pressure	0.0001	0.0006	0.0012	0.0020	0.0030	0.0049	0.0064	0.0081	0.0100	0.0132	0.0156	0.0182
Pt	0.0073	0.0302	0.0671	0.1186	0.1847	0.2686	0.3643	0.4745	0.5993	0.7442	0.8986	1.0676
Throw	1-1-1	1-2-3	2-3-5	3-4-6	3-5-8	4-6-10	5-7-11	5-8-12	6-9-14	7-10-16	7-11-17	8-12-18
NC	-	-	-	-	16	22	25	28	31	34	36	38

Size 9x9

CFM	25	50	75	100	120	145	170	195	220	245	270	295
Neck Velocity	102	204	306	408	490	592	694	796	898	1000	1102	1205
Velocity Pressure	0.0001	0.0003	0.0007	0.0013	0.0019	0.0027	0.0037	0.0049	0.0063	0.0078	0.0094	0.0113
Pt	0.0076	0.0306	0.0688	0.1224	0.1900	0.2739	0.3730	0.4875	0.6173	0.7624	0.9228	1.0985
Throw	1-1-2	1-2-4	2-3-5	3-4-7	4-5-8	4-6-10	5-7-12	6-9-14	6-10-16	7-11-17	8-12-19	9-13-21
NC	-	-	-	-	-	19	23	27	30	32	35	37

Size 12x12

CFM	45	85	130	175	220	260	305	350	390	435	480	520
Neck Velocity	103	195	299	402	506	598	701	805	897	1000	1104	1195
Velocity Pressure	0.0001	0.0005	0.0011	0.0019	0.0030	0.0042	0.0058	0.0076	0.0095	0.0118	0.0144	0.0169
Pt	0.0081	0.0320	0.0722	0.1285	0.2009	0.2887	0.3933	0.5140	0.6495	0.8024	0.9713	1.1547
Throw	1-2-3	3-4-6	4-6-9	5-8-13	7-10-16	8-12-19	9-14-22	11-16-25	12-18-28	13-20-32	15-22-35	16-24-38
NC	-	-	-	17	23	27	31	35	38	41	43	45

Notes:

1. Tests conducted in accordance with ANSI/ASHRAE Standard 70-1991
2. Pressures are in inches of water (in. WG)
3. Data is based on supply performance
4. NC values are based on room absorption of 10dB
5. Throw values are shown in feet at terminal velocities of 150, 100 and 50 feet per minute at isothermal conditions
6. Dash (-) in the space indicates NC values of less than 10



SPECIFICATIONS

PYRACELL™

PYRACELL™ Suggested Specification:

The security grille shall be the Tuttle & Bailey PYRACELL™ suicide deterrent maximum security grille. The face plate and sleeve shall be manufactured from 3/16" steel (optional 1/8" aluminum) which shall be of welded construction. The patented pyramids shall be attached to the back of the face with a lattice running between the pyramids to deter cords from being looped from hole to hole through the face.

Pyramids shall be attached to the back of the face such to allow for easy removal and cleaning. The pyramids shall be constructed of milled aluminum (optional polycarbonate) and attached to the face by a standard head locknut.



The grille shall comply with National Institute of Corrections standards and California Title 24 guidelines for suicide prevention.

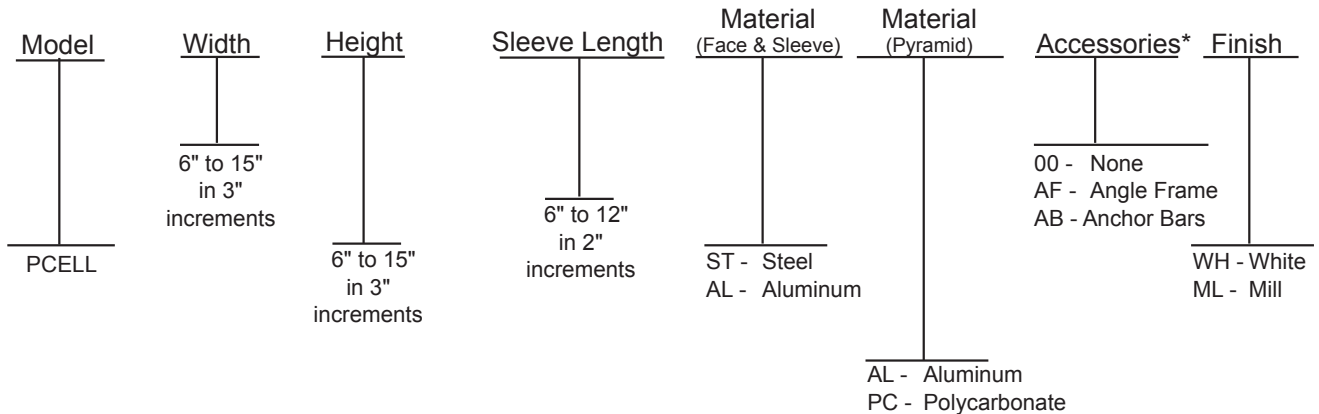
The paint finish shall be Tuttle & Bailey White (WH). The finish shall be an anodic acrylic paint, baked at 315°F for 30 minutes.

The manufacturer shall provide published performance data tested in accordance with ANSI/ASHRAE 70-1991 at isothermal conditions.

Accessory Options:

The grille shall be provided with an optional steel angle frame (AF) that is 1-1/2" x 1-1/2" x 3/16" shipped loose and unpainted for field mounting.

The grille shall provide optional anchor bars (AB) that are 3/4" diameter x 3" long positioned 3" from the back of the face plate on the top and bottom of the sleeve.



Example: PCELL - 12 - 12 - 10 - ST - AL - 00 - WH

*Up to two accessories can be selected